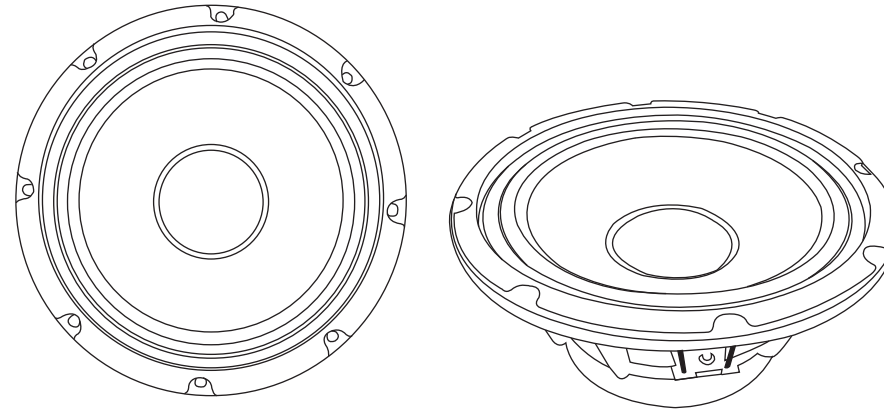


IFM-088
8" Midrange Speaker



Specification

Nominal Basket Diameter	8" , 200mm
Nominal Impedance	8 Ohms
Power Rating	200 Watts
Resonance	80.22 Hz
Usable Frequency Range	75 Hz ~ 8 kHz
Sensitivity	92 dB
Magnet Weight	33 Oz
Voice Coil Diameter	38.6mm



Thiele & Small Parameters

Resonant Frequency (fs)	73.49 Hz
DC Resistance (Re)	7.2 Ohms
Coil Inductance (Le)	0.3490 mH @ 1kHz
Mechanical Q (Qms)	5.2864
Electromagnetic Q (Qes)	0.6334
Total Q (Qts)	0.4356
Compliance Equivalent Volume (Vas)	18.9207 Liter
Mechanical Compliance of Suspension (Cms)	206.45 uM/N
BL Product (BL)	10.4517 TM
Diaphragm Mass (Mmd)	17.2777 Gram
Maximum Linear Excursion (Xmax)	1.4mm
Surface Area of Cone (Sd)	0.0213 sqM

Materials of Construction

- Copper voice coil
- Kapton former
- Ferrite magnet
- Vented and extended core
- Stamped aluminium Die-cast basket
- Paper cone
- Cloth surround
- Solid polypropylene dust cap

